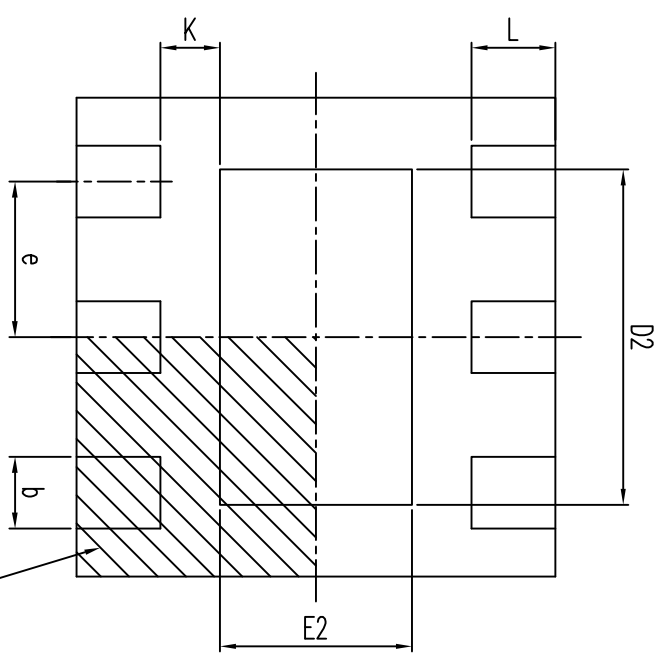
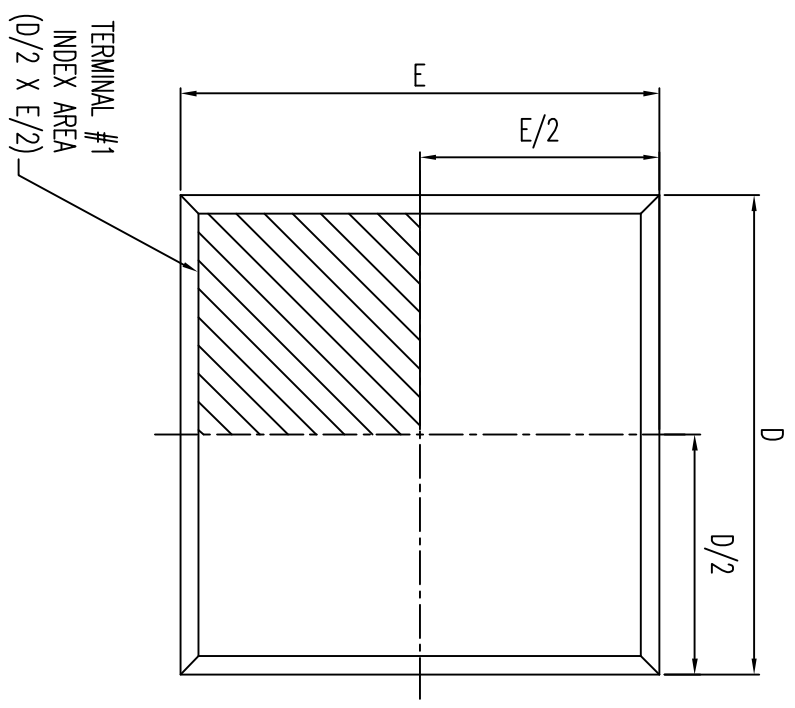


REV.	DESCRIPTION	BY	DATE
ORIG.	DRAWING ISSUE	SANDY CHEN	12.30.2014

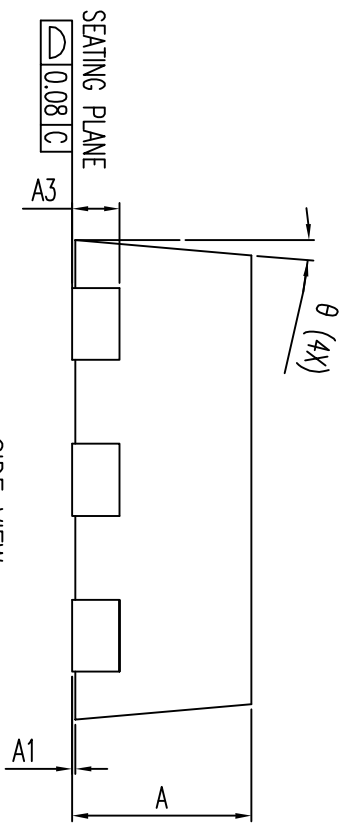
TOP VIEW

BOTTOM VIEW



SYMBOL	DIMENSION IN MM		
	MIN.	NOM.	MAX.
A	0.70	0.75	0.80
A1	0	0.02	0.05
A3	0.20 REF.		
D	2.00 BASIC		
D2	1.35	1.40	1.45
E	2.00 BASIC		
E2	0.75	0.80	0.85
e	0.65 BASIC		
b	0.25	0.30	0.35
L	0.30	0.35	0.40
K	0.20		
θ	0°		14°
JEDEC			

TERMINAL #1
INDEX AREA
(D/2 X E/2)



SIDE VIEW

CWT Chant World Technology Inc.		<input type="checkbox"/>	ANGULAR ±
TITLE WDFN 6L PACKAGE OUTLINE		XXXXXX ±0.005	ROUGH-
BODY SIZE : 2 X 2 X 0.75 MM		XXXXX ±0.05	NESS
		XX ±0.1	SCALE 45 : 1
DESIGNED	SANDY CHEN 12.30.2014	UNIT	QTY
CHECKED	SANDY CHEN 12.30.2014	FILE NAME :	WDFN6L(2x2x0.75)
APPROVED	SANDY CHEN 12.30.2014	DWG. NO.:	CW-PV-004A
			A3